

Outsource
Cabinet Components



g Catalogue

DRAWERS

2021





DRAWERS WITH DOWELS

1 TOP VIEW

2 FRONT VIEW

3 PERSPECTIVES

4 DRAWER ORDER INFO

- 1. What does I.C.W mean?**
Interior Cabinet Width
- 2. What does F.D.W mean?**
Finished Drawer Width

5 HOW TO ORDER

On **DRAWER ORDER SHEET** fillout the following:

1. Material
2. Top profile Information
3. Bottom spacings information
4. Notching information
5. If slides and clips are required
(Indicate slide type and if clips are to be installed)
6. Finishing if required
7. Height - Width -Depth of drawers
(Indicate if the width is I.C.W or E.B.W)
8. Delivery or pick-up

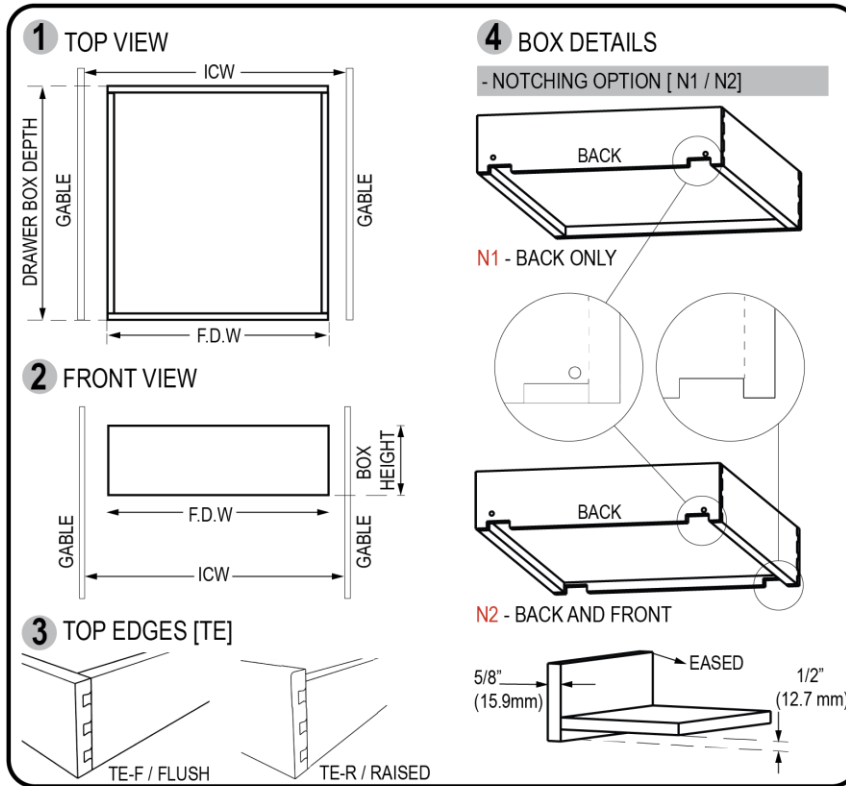
6

(* = HEAVY DUTY)

		BLUM					FGV	RICHELIEU		GRASS		SALICE		DTC			KING	KV	
		MOVENTO		TANDEM			EXCEL	828	818	DYNAPRO		FUTURA		INFINITY	HD	DS10			
		760H	760H TIP-ON BLUMOTION	560H	566H	550H				60 KG	40/70 KG	SMOVE 6555	PUSH 6557						
MOTION TECHNOLOGY	S-C	✓	✓	✓	✓	✓	✓	✓	✓	✓	✓	✓	✓	✓	✓	✓	✓	✓	
	Without S-C	-	-	✓	-	✓	-	-	-	-	-	-	-	-	-	-	-	-	
SLIDE EXTENSION	FE	✓	✓	✓	✓	-	-	✓	✓	✓	✓	✓	✓	✓	✓	✓	✓	✓	
	PE	-	-	-	-	✓	✓	-	-	-	-	-	-	-	-	-	-	-	
DRAWER LENGTH [N2]	NOMINAL LENGTH																		
	240	250	✓	-	✓	-	-	-	-	-	✓	-	-	-	✓	✓	✓	-	✓
	260	270	✓	✓	✓	-	✓	✓	-	✓	-	-	✓	✓	✓	✓	✓	-	-
	290	300	✓	✓	✓	-	✓	✓	-	✓	-	-	✓	✓	✓	✓	✓	✓	✓
	340	350	✓	✓	-	-	✓	✓	-	✓	-	-	✓	✓	✓	✓	✓	✓	✓
	390	400	✓	✓	✓	-	✓	✓	-	✓	-	-	✓	✓	✓	✓	✓	✓	✓
	440	450	✓	✓	✓	✓	✓	✓	-	✓	-	-	✓	✓	✓	✓	✓	✓	✓
	490	500	✓	✓	✓	✓	✓	✓	-	✓	-	-	✓	✓	✓	✓	✓	✓	✓
	540	550	✓	✓	✓	✓	✓	✓	-	✓	-	-	✓	✓	✓	✓	✓	✓	✓
	* 590	* 600	✓	✓	-	✓	-	-	-	✓	✓	-	✓	✓	✓	✓	✓	✓	-
	* 640	* 650	✓	✓	-	✓	-	-	-	✓	✓	-	-	-	-	-	-	-	-
	* 690	* 700	✓	✓	-	✓	-	-	-	✓	✓	-	-	-	-	-	-	-	-
	* 740	* 750	✓	✓	-	✓	-	-	-	✓	✓	-	-	-	-	-	-	-	-



DOVETAIL DRAWERS



5 STANDARD HEIGHTS

DOVETAIL	
mm	inches
57	2 1/4
83	3 1/4
108	4 1/4
133	5 1/4
159	6 1/4
184	7 1/4
210	8 1/4
235	9 1/4
260	10 1/4
286	11 1/4
311	12 1/4
337	13 1/4
362	14 1/4

6 ORDER INFO

1. What does I.C.W mean?

Interior Cabinet Width

2. What does F.D.W mean?

Finished Drawer Width

7 HOW TO ORDER

On **DRAWER ORDER SHEET** fillout the following:

1. Material
2. Top profile Information
3. Bottom spacings information
4. Notching information
5. If slides and clips are required (Indicate slide type and if clips are to be installed)
6. Finishing if required
7. Height - Width - Depth of drawers (Indicate if the width is I.C.W or F.D.W)
8. Delivery or pick-up

8			BLUM					FGV		RICHELIEU		GRASS		SALICE		DTC			KING	KV
			MOVENTO		TANDEM			EXCEL	828	818	DYNAPRO		FUTURA		INFINITY	HD	DS10			
			760H	760H TIP-ON BLUMOTION	560H	566H	550H				60 KG	40/70 KG	SMOVE 6555	PUSH 6557						
(* = HEAVY DUTY)																				
MOTION TECHNOLOGY	S-C		✓	✓	✓	✓	✓	✓	✓	✓	✓	✓	✓	✓	✓	✓	✓	✓	✓	✓
	Without S-C	-	-	-	-	-	-	-	-	-	-	-	-	-	-	-	-	-	-	-
SLIDE EXTENSION	FE	✓	✓	✓	✓	-	-	✓	✓	✓	✓	✓	✓	✓	✓	✓	✓	✓	✓	✓
	PE	-	-	-	-	✓	✓	✓	✓	✓	✓	✓	✓	✓	✓	✓	✓	✓	✓	✓
DRAWER LENGTH N2	DRAWER LENGTH N1	NOMINAL LENGTH	✓	-	✓	-	-	-	-	-	-	✓	-	-	-	✓	✓	✓	-	✓
240	256	250	✓	✓	✓	-	✓	-	✓	✓	✓	-	✓	-	✓	✓	✓	✓	-	✓
260	276	270	✓	✓	✓	-	✓	-	✓	✓	✓	-	✓	-	✓	✓	✓	✓	-	✓
290	306	300	✓	✓	✓	-	✓	-	✓	✓	✓	-	✓	-	✓	✓	✓	✓	✓	✓
340	356	350	✓	✓	-	-	✓	-	✓	✓	✓	-	✓	-	✓	✓	✓	✓	✓	✓
390	406	400	✓	✓	✓	-	✓	✓	✓	✓	✓	-	✓	-	✓	✓	✓	✓	✓	✓
440	456	450	✓	✓	✓	✓	✓	✓	✓	✓	✓	-	✓	✓	✓	✓	✓	✓	✓	✓
490	506	500	✓	✓	✓	✓	✓	✓	✓	✓	✓	-	✓	✓	✓	✓	✓	✓	✓	✓
540	556	550	✓	✓	✓	✓	✓	-	✓	✓	✓	-	✓	✓	✓	✓	✓	✓	✓	✓
* 590	* 606	* 600	✓	✓	-	✓	-	-	-	-	-	✓	-	-	✓	✓	✓	✓	✓	-
* 640	* 656	* 650	✓	✓	-	✓	-	-	-	-	-	✓	-	-	-	-	-	-	-	-
* 690	* 706	* 700	✓	✓	-	✓	-	-	-	-	-	✓	-	-	-	-	-	-	-	-
* 740	* 756	* 750	✓	✓	-	✓	-	-	-	-	-	✓	-	-	-	-	-	-	-	-



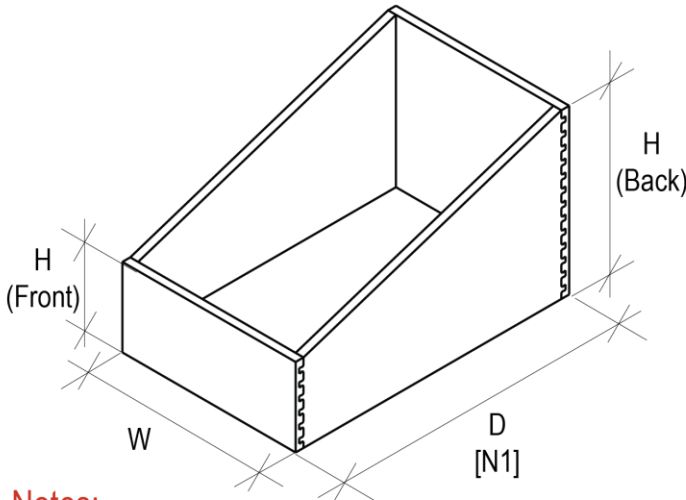
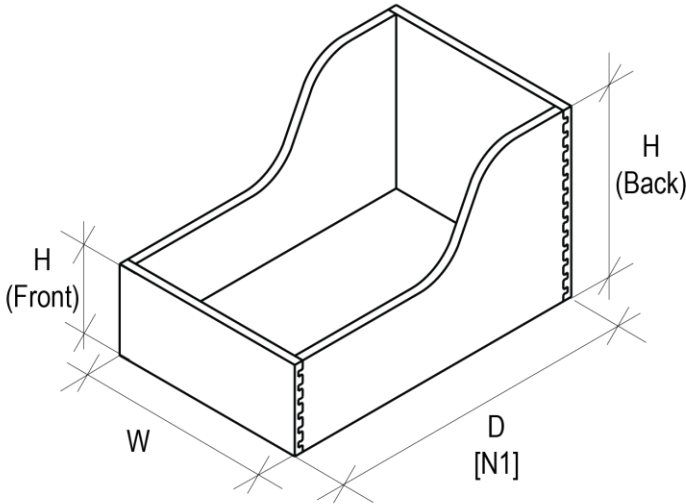
DOVETAIL DRAWERS OPTIONS

1 SCOOP HANDLE TYPE FOR INTERNAL DRAWERS



SC-A

2 ROLLOUTS



(A) ROLLOUT PROFILED [RO-P]

D [N1]	H (FRONT)	H (BACK)
mm / Inches	mm / Inches	mm / Inches
*	133 / 5 1/4	311 / 12 1/4

(B) ROLLOUT PROFILED REVERSED [RO-PR]

D [N1]	H (FRONT)	H (BACK)
mm / Inches	mm / Inches	mm / Inches
*	311 / 12 1/4	133 / 5 1/4

* SEE PREVIOUS DOVETAIL DRAWERS INFORMATION PAGE

(A) ROLLOUT ANGLED [RO-A]

D [N1]	H (FRONT)	H (BACK)
mm / Inches	mm / Inches	mm / Inches
*	133 / 5 1/4	311 / 12 1/4

(B) ROLLOUT ANGLED REVERSED [RO-AR]

D [N1]	H (FRONT)	H (BACK)
mm / Inches	mm / Inches	mm / Inches
*	311 / 12 1/4	133 / 5 1/4

* SEE PREVIOUS DOVETAIL DRAWERS INFORMATION PAGE

Notes:

- Front and Back can be reversed. Options: RO-PR / RO-AR
- Available in solid Birch, Maple and Baltic Birch plywood.

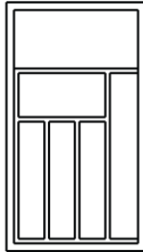
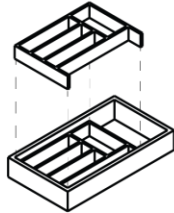


INSERTS OPTIONS

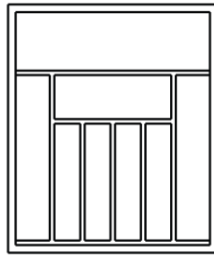
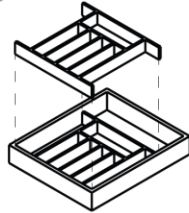
1 DRAWER BOX INSERT OPTIONS

INSERTS - CUTLERY

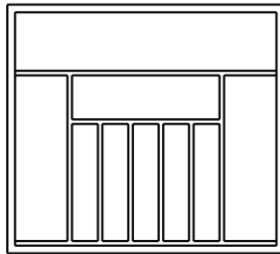
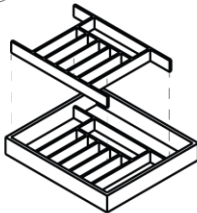
I-CA [Cutlery Option A]



I-CB [Cutlery Option B]

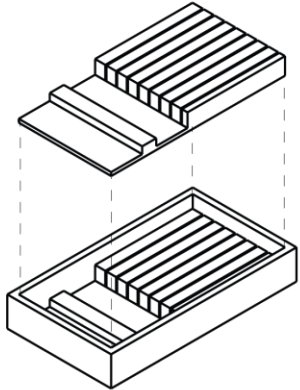


I-CC [Cutlery Option C]



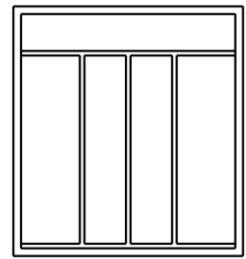
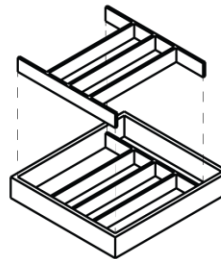
INSERT - KNIFE BLOCK

I-KB



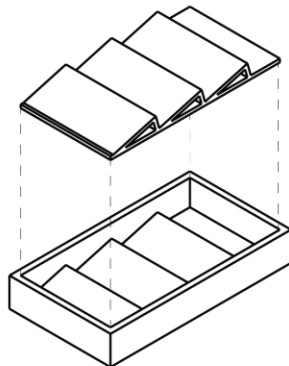
INSERTS - UTENSIL

I-UA [Utensil Option A]

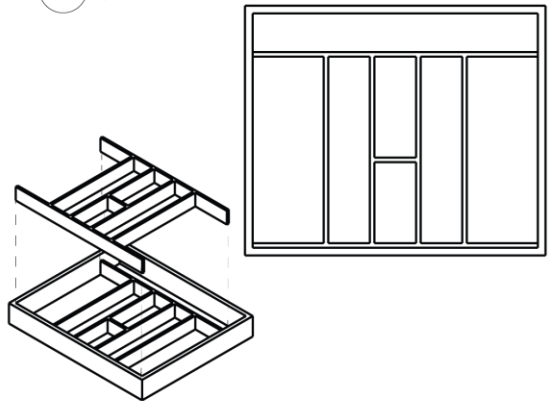


INSERT-SPICE

I-S



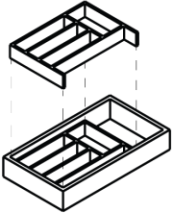
I-UB [Utensil Option B]



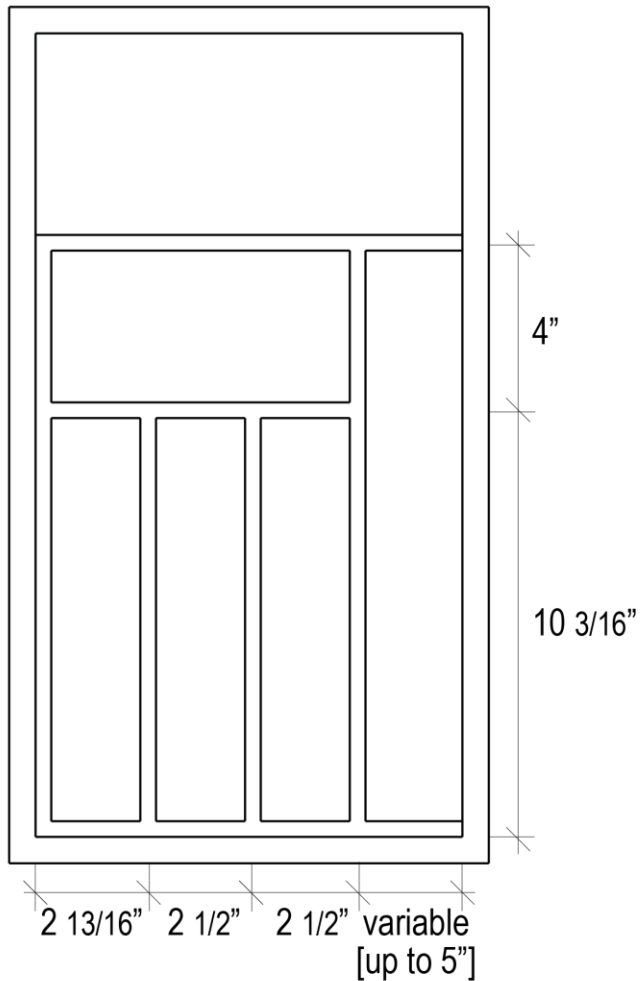


DRAWER BOX INSERT OPTIONS

I-CA [Cutlery Option A]



MAX WIDE	12 13/16"
MIN WIDE	8 1/8"

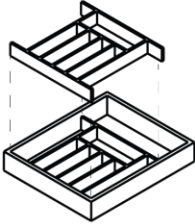


Note: The insert itself is constructed of 5/8" thick by 2 1/4" high in Baltic Birch.

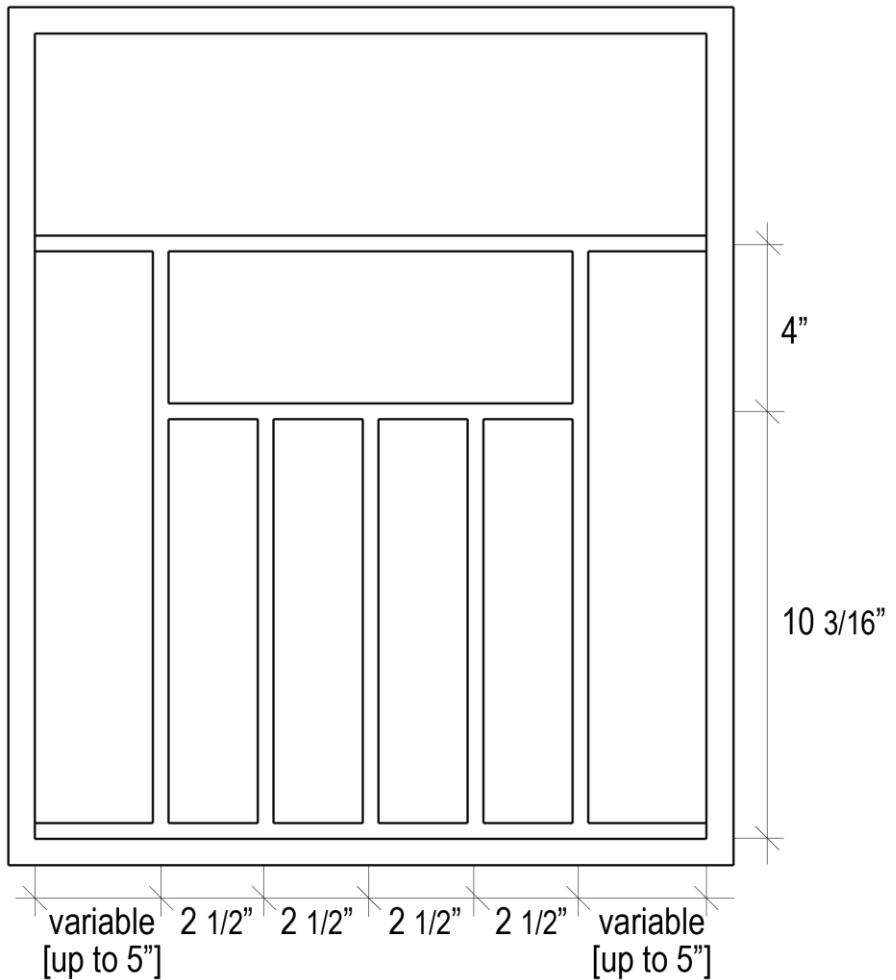


DRAWER BOX INSERT OPTIONS

I-CB [Cutlery Option B]



MAX WIDE	20"
MIN WIDE	10 5/8"

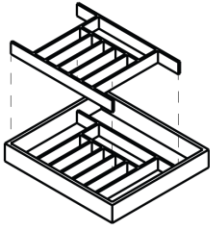


Note: The insert itself is constructed of 5/8" thick by 2 1/4" high in Baltic Birch.

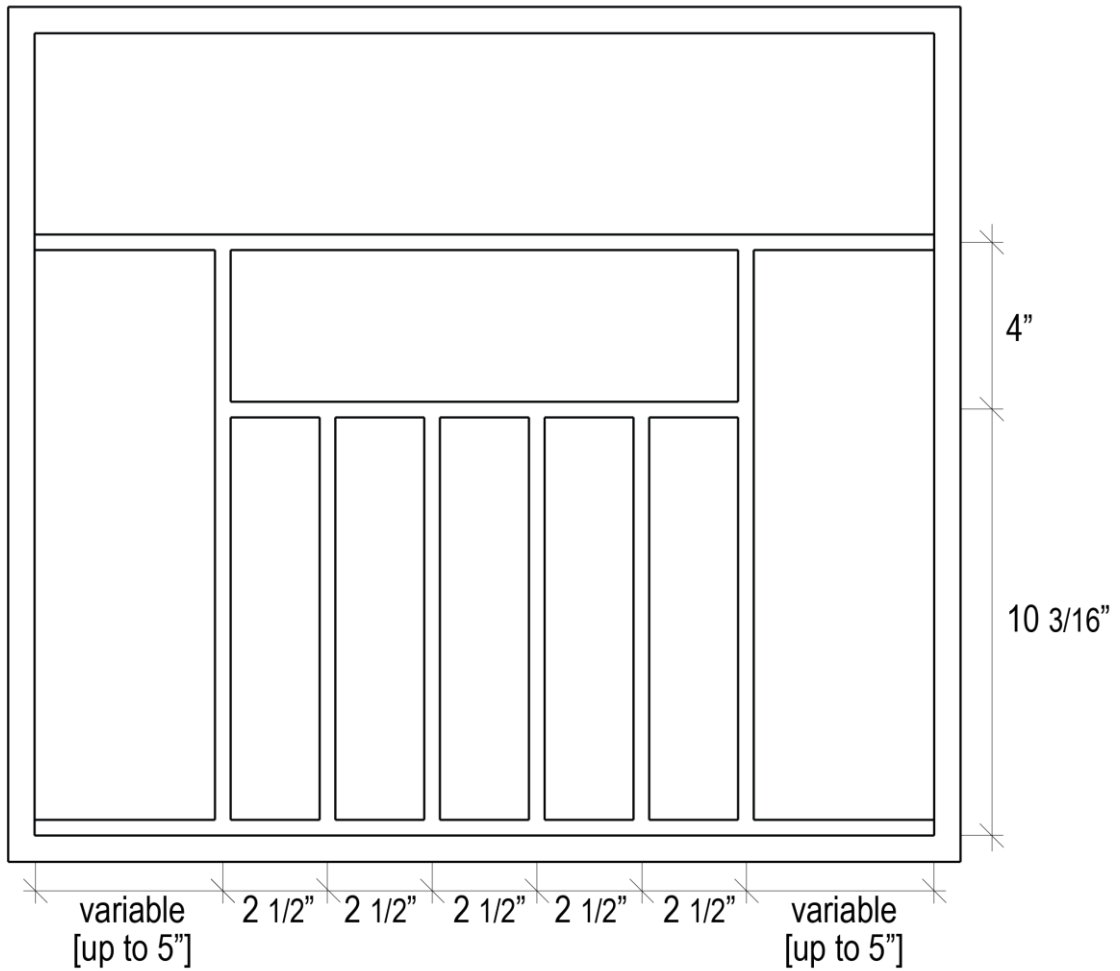


DRAWER BOX INSERT OPTIONS

I-CC [Cutlery Option C]



MAX WIDE	22 1/2"
MIN WIDE	13 1/8"



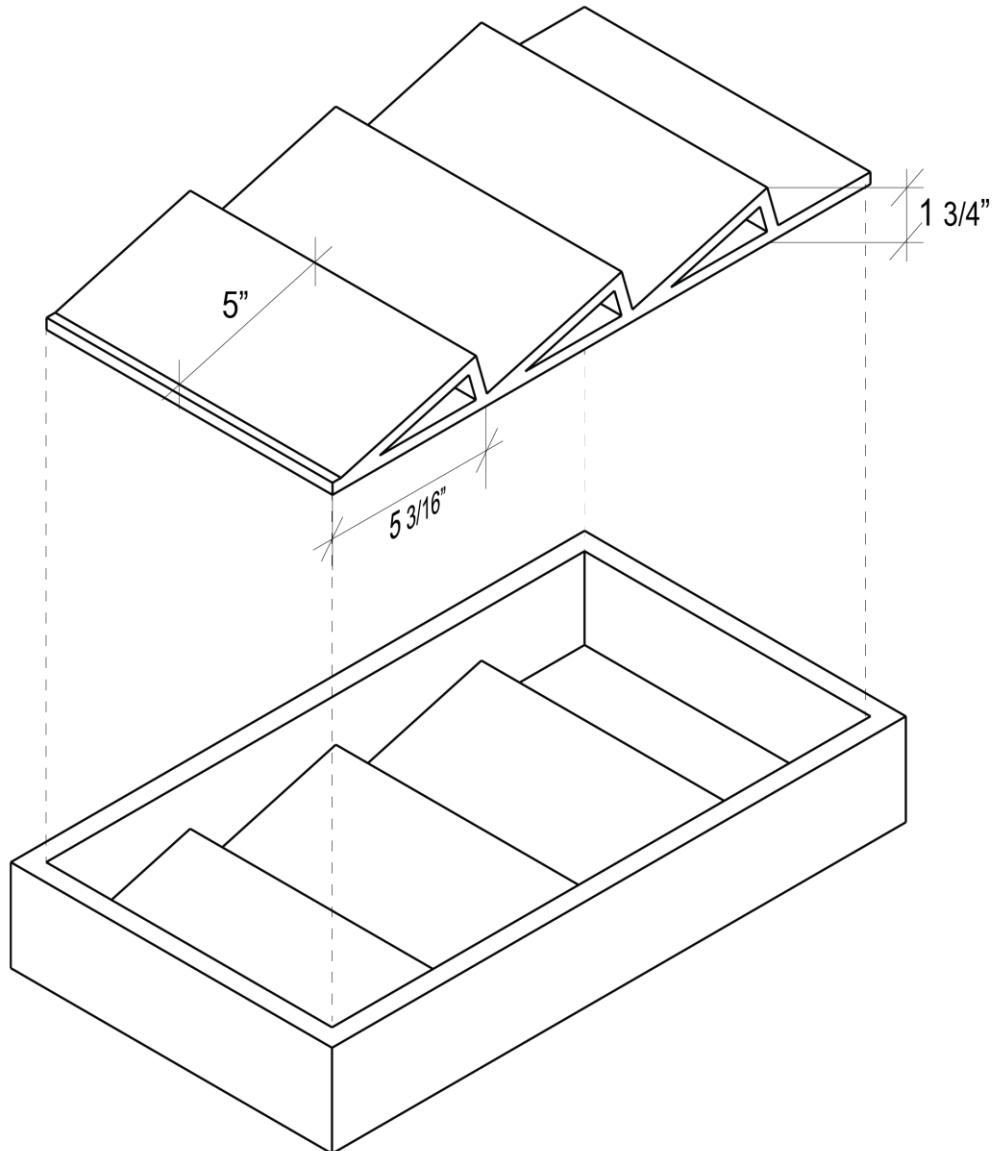
Note: The insert itself is constructed of 5/8" thick by 2 1/4" high in Baltic Birch.



DRAWER BOX INSERT OPTIONS

I-S [Insert - Spice]

MAX WIDE 59"

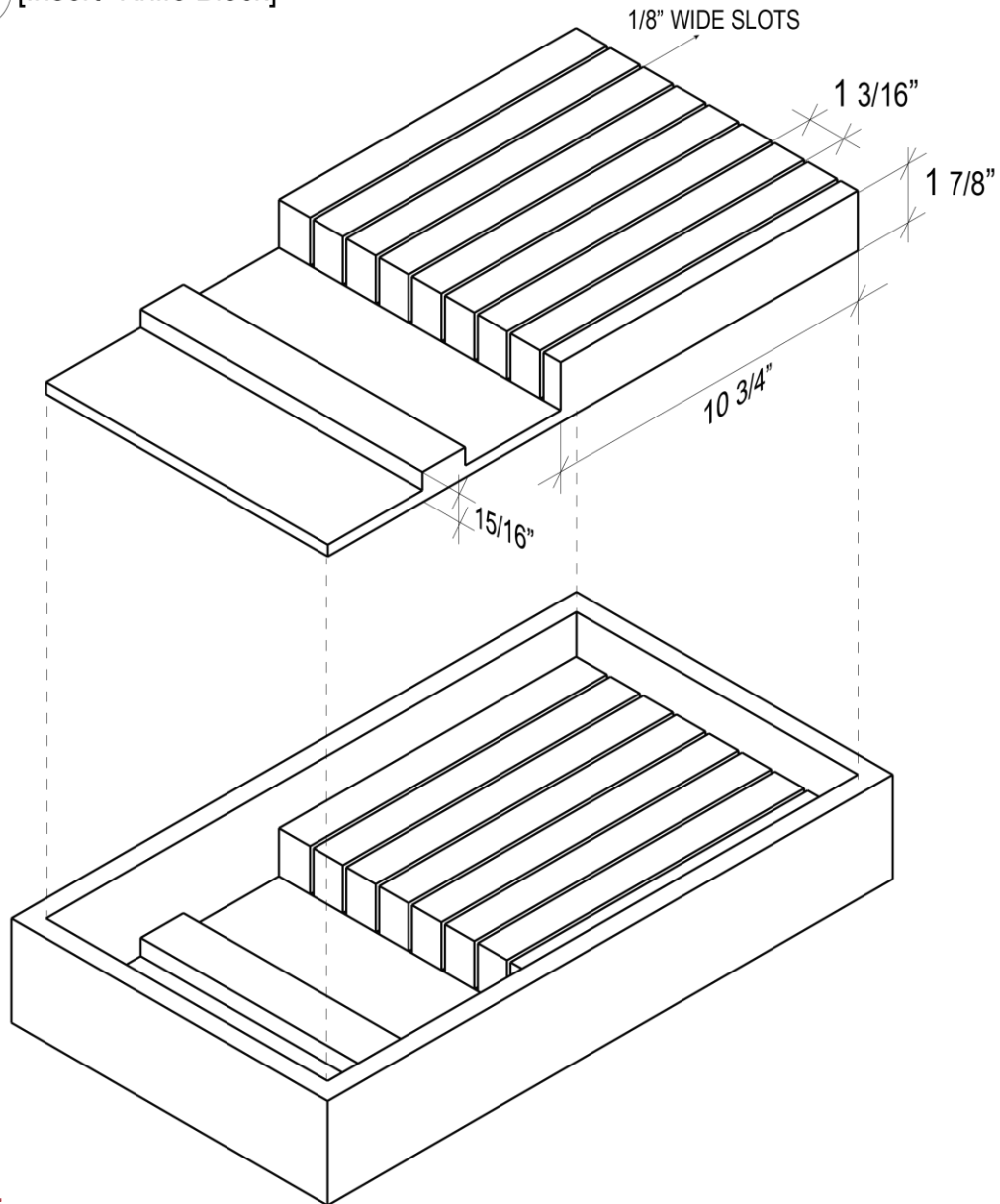


Note: The insert itself is constructed in Baltic Birch plywood.



DRAWER BOX INSERT OPTIONS

I-KB [Insert -Knife Block]



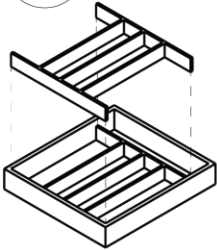
Note:

Our knife block insert come with a standard knife configuration and height. However it can be offered in custom width and depth to accommodate your drawer size. The insert is made with solid wood maple and can be removed for easy cleaning.

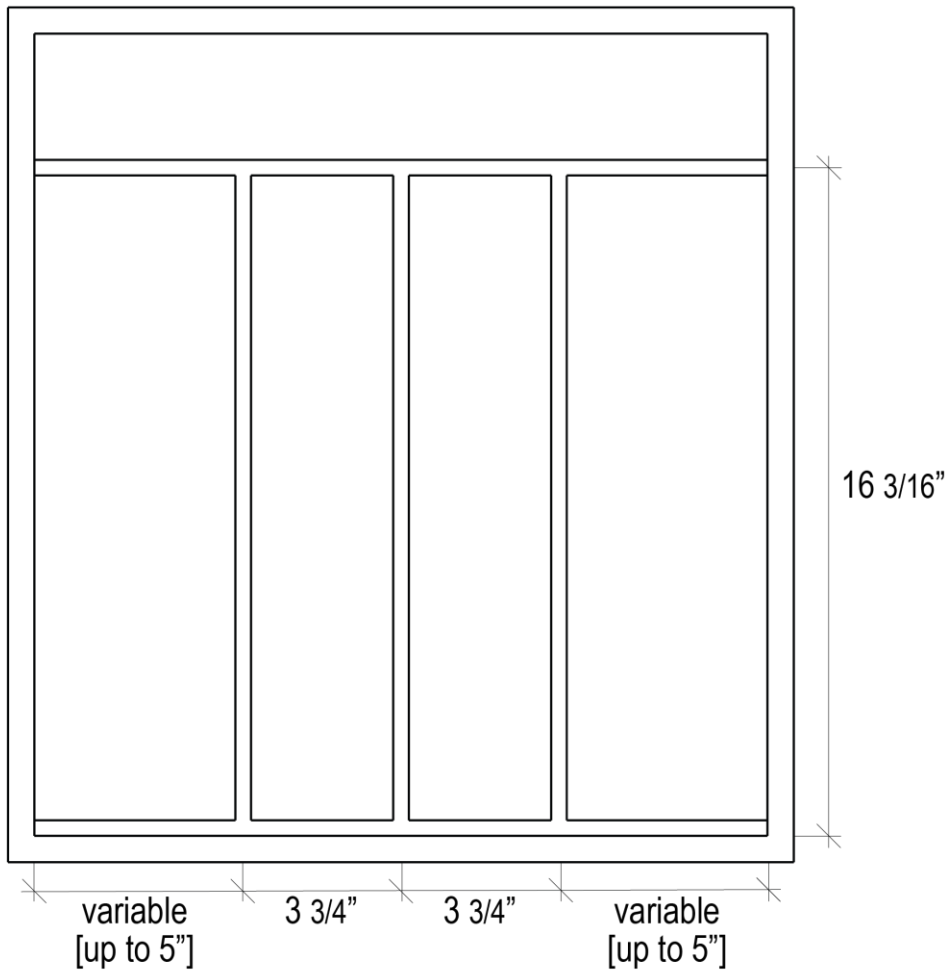


DRAWER BOX INSERT OPTIONS

I-UA [Utensil Option A]



MAX WIDE	17 1/2"
MIN WIDE	8 1/8"

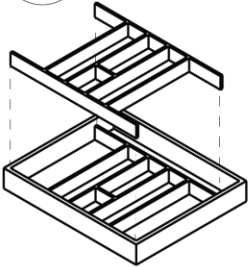


Note: The insert itself is constructed of 5/8" thick by 2 1/4" high in Baltic Birch.

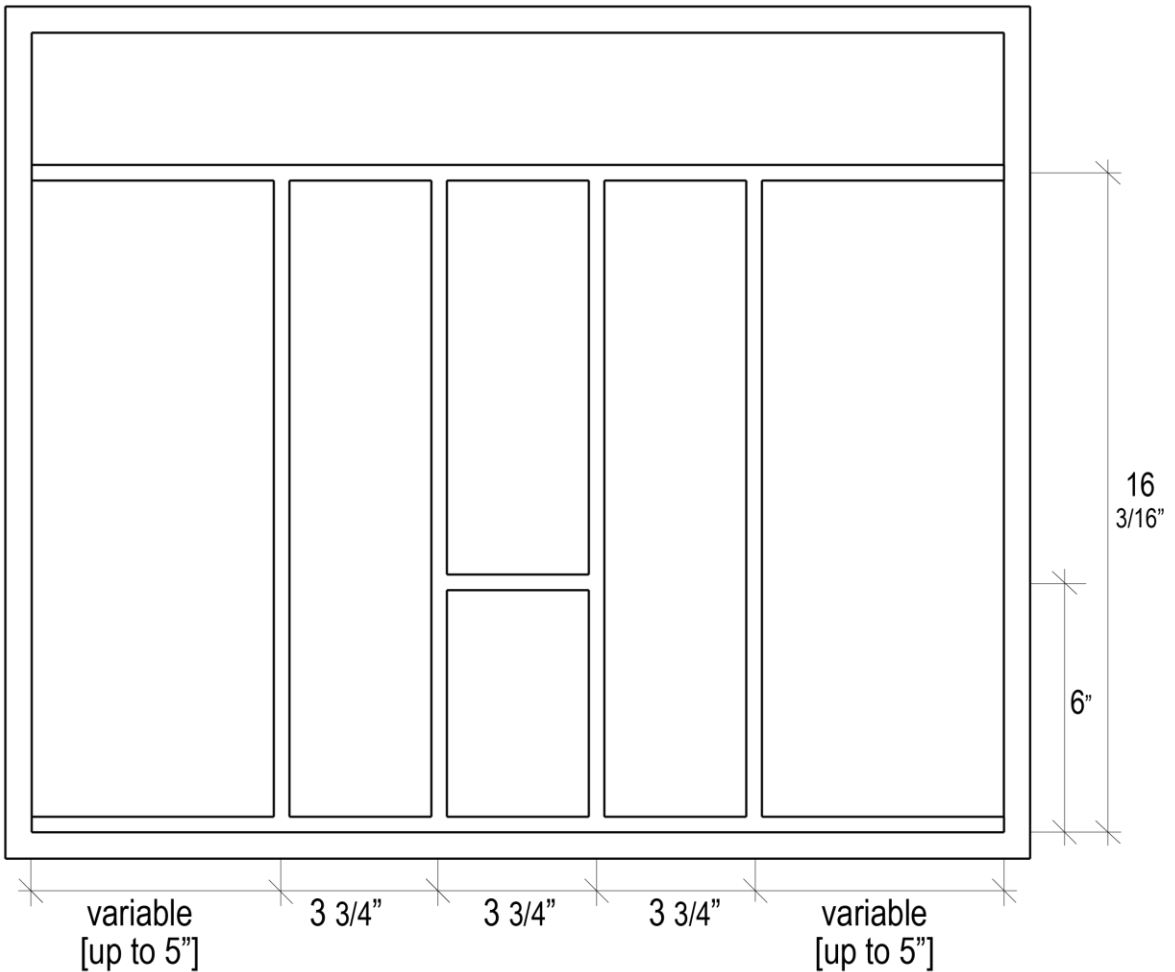


DRAWER BOX INSERT OPTIONS

I-UB [Utensil Option B]



MAX WIDE	21 1/4"
MIN WIDE	11 7/8"



Note: The insert itself is constructed of 5/8" thick by 2 1/4" high in Baltic Birch.



1323 43rd Ave SE. Calgary, Alberta. T2G 2A3



(403) 276.7399



(403)276.6650



sales@outsoucecc.com



www.outsoucecc.com