

Outsource
Cabinet Components



OS Catalogue

LIGHTING

2021



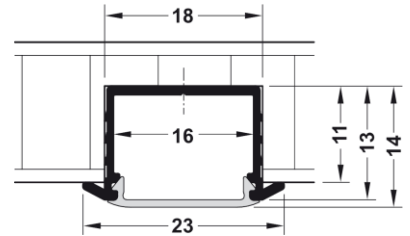


LIGHTING - LED

LED ALUMINUM PROFILE – RECESS MOUNTING (LEDAP-RM)

PRODUCT DETAILS

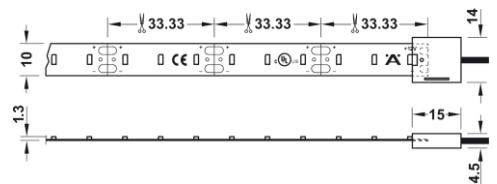
- **Material:** Aluminum
- **Dim. L x W x H:** (98 3/8 x 7/8 x 1 1/32") / (2500 x 23 x 13 mm)
- **Mounting:** For recess mounting
- **Product's Features:** Translucent cover
- **See:** Lighting – Electrical Fittings page for END CAP



LED FLEXIBLE LIGHT STRIP (LEDFLS)

PRODUCT DETAILS

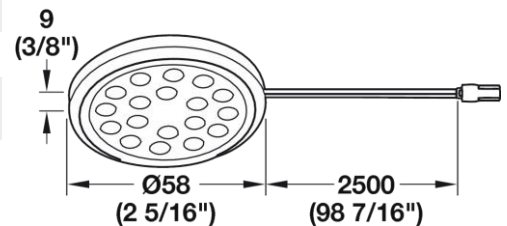
- **Material:** LED board
- **Dim. (LxWxH):** (196 7/8 x 3/8 x 1/16") / (5000 x 10 x 1.3 mm)
- **Mounting:** Self-adhesive
- **Voltage:** 12V
- **Light colour:** Cool white 4000K (LEDFLS – CW4)
Warm white 3000K (LEDFLS – WW3)
- **Light output:** (LEDFLS – CW4) - 3150 lm
(LEDFLS – WW3) - 3100 lm
- **Luminous efficacy (Lm/W):** (LEDFLS – CW4) - 87 Lm/W
(LEDFLS – WW3) – 86 Lm/W
- Can be **shortened** every 33mm



LED SURFACE MOUNTED ROUND PUCK (LEDSMP)

PRODUCT DETAILS

- **Material:** Thermoplastic
- **Dim: Diameter:** (2 1/4") (60 mm)
- **Mounting:** Surface
- **Cable length:** (98 3/8") (2.5 m)
- **Finish:** Brushed Steel
- **Light Colour:** Warm white 3000K (LEDSMP – WW3)
Cool white 5000K (LEDSMP – CW5)





LIGHTING – ELECTRICAL FITTINGS

LED - END CAP – FOR RECESSED EXTRUSION (LED-ECRE)

PRODUCT DETAILS

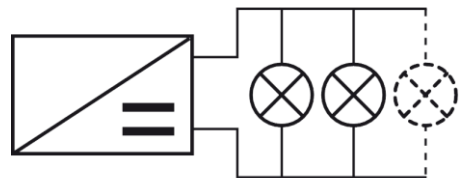
- **Material:** Plastic
- **Colour:** Silver colored
- **Product's Features:** With cable outlet



LED DRIVER (LEDD)

PRODUCT DETAILS

- **Wattage:** 0 - 40W
- **Width:** (2 3/8") / (60mm)
- **Length:** (7 1/2") / (190mm)
- **Add mandatory accessories: MAINS LEADS**



LED - LEAD RIBBON (LED-LR)

PRODUCT DETAILS

- **Material:** Plastic
- **Colour:** Black
- **Product's features:**
 - Version :** Male plug
 - Cabinet length:** (78 3/4") (2000mm) - (LR78)





LIGHTING – ELECTRICAL FITTINGS

LED - LEAD RIBBON EXTENSION (LED - LRE)

PRODUCT DETAILS

- **Material:** Plastic

- **Colour:** Black

- **Voltage:** 12V

- **Product's Features:**

Length: (78 3/4") / (2000mm) – (LRE78)

- **Notes:** * Lead length from driver to light max. 6m.
* Mandatory accessories – Loox – LED 12V driver



LED - MAINS CABLE BARE END (LED - MCBE)

PRODUCT DETAILS

- **Material:** Plastic

- **Voltage:** 120V

- **Product's Features:**

Length: (78 3/4") / (2000mm) – (MCBE78)

(118") / (3000mm) – (MCBE118)



LED - MAINS CABLE W/PLUG (LED - MCWP)

PRODUCT DETAILS

- **Material:** Plastic

- **Voltage:** 120V

- **Product's Features:**

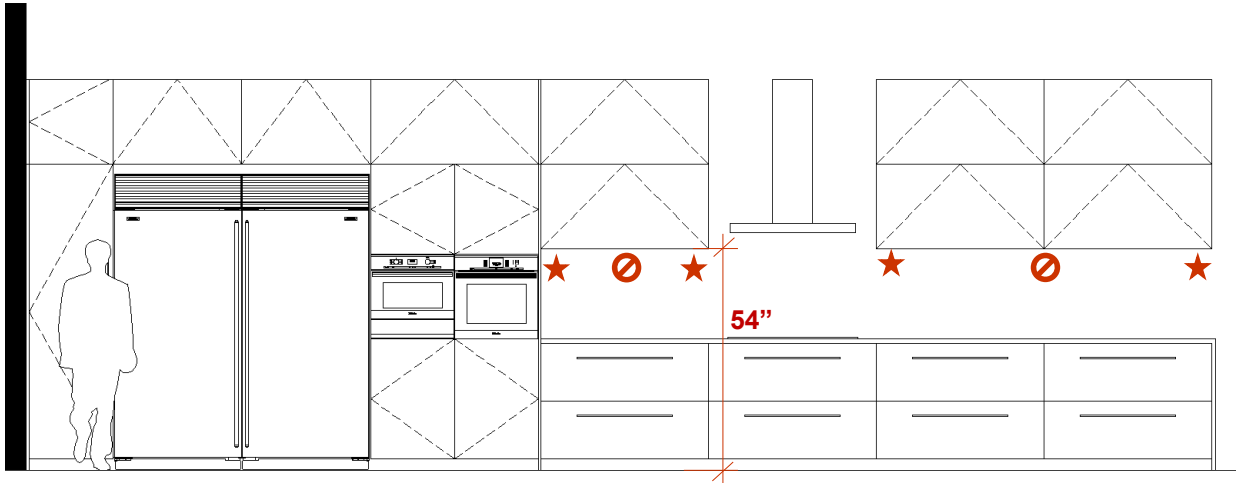
Length: (78 3/4") / (2000mm) – (MCWP78)

(118") / (3000mm) – (MCWP118)





LED WIRE LOCATION



★ : - BEST LOCATION TO INSTALL 18/2 LOW VOLTAGE WIRE

- DISTANCE FROM THE FINISHED FLOOR: 54"

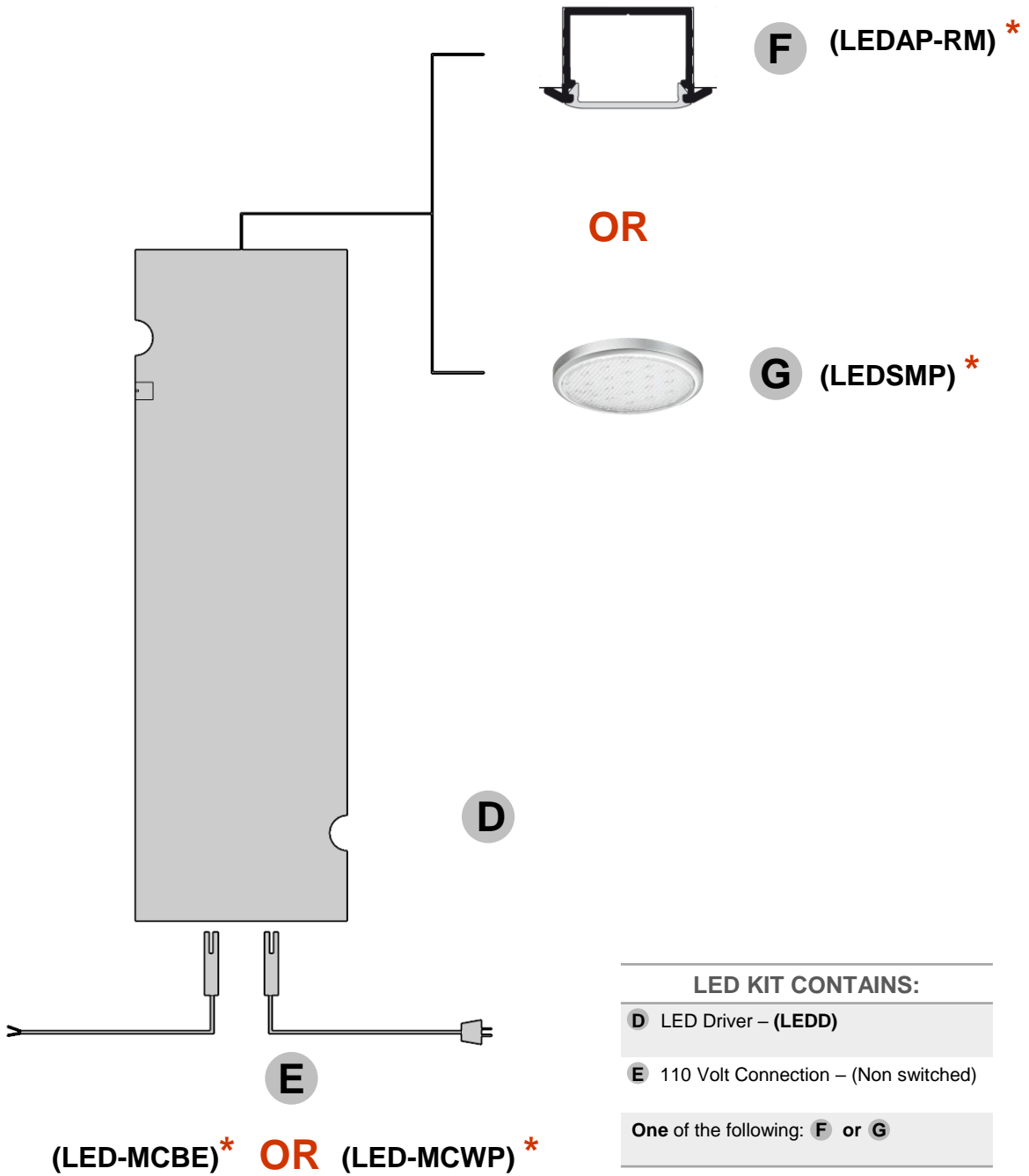
⊘ : - DO NOT INSTALL WIRE IN MIDDLE OF RUN

- AVOID INSTALLING WIRE IN CORNER

? : PLEASE CALL NUMBER BELOW IF YOU HAVE ANY QUESTION



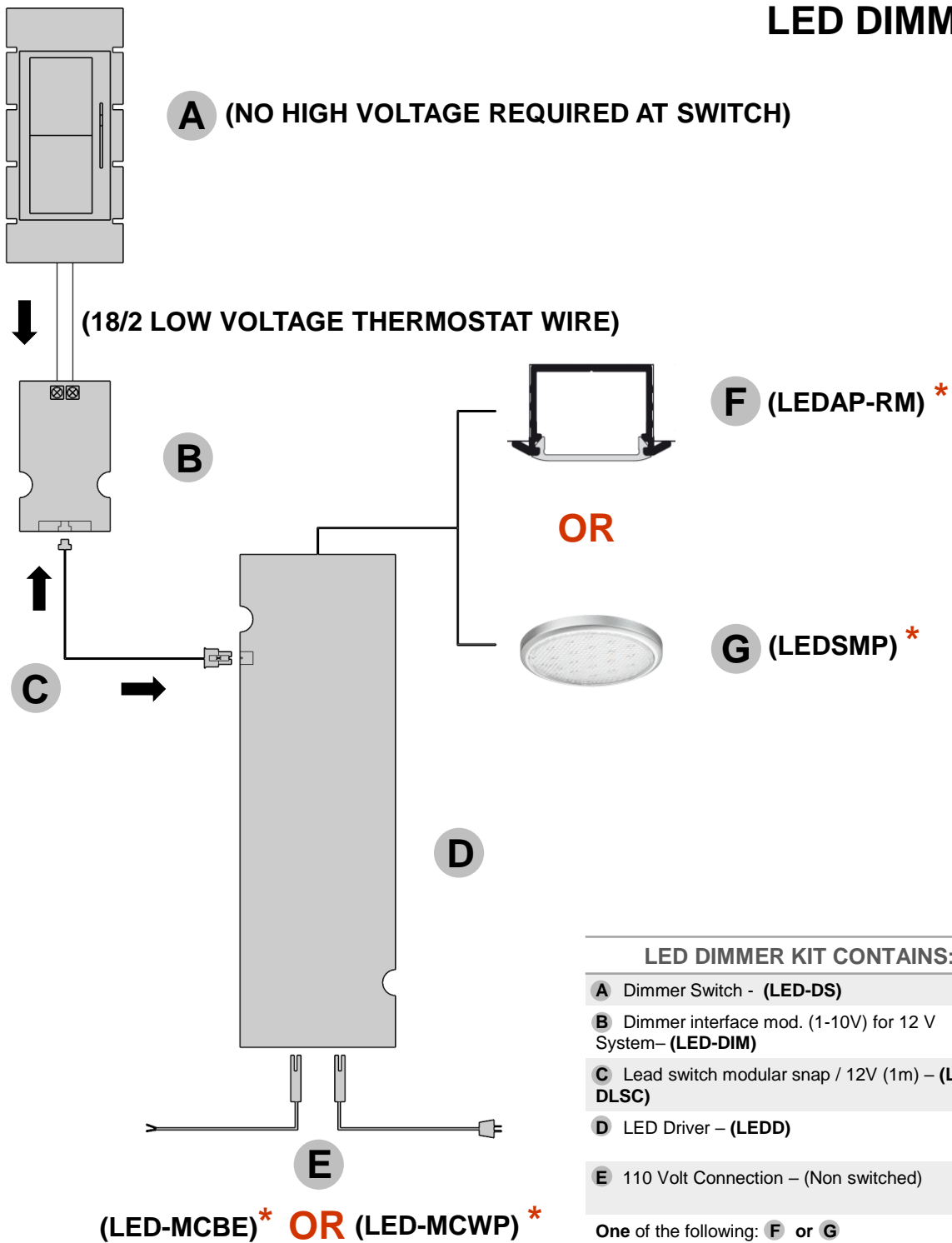
STANDARD SWITCHING



NOTE: * = PLEASE VIEW PREVIOUS PAGES.



LED DIMMER



LED DIMMER KIT CONTAINS:

- A** Dimmer Switch - (LED-DS)
- B** Dimmer interface mod. (1-10V) for 12 V System- (LED-DIM)
- C** Lead switch modular snap / 12V (1m) - (LED-DLSC)
- D** LED Driver - (LEDD)
- E** 110 Volt Connection - (Non switched)

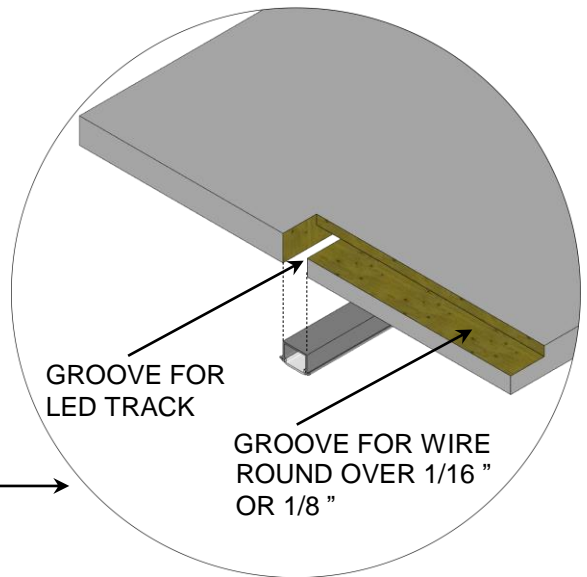
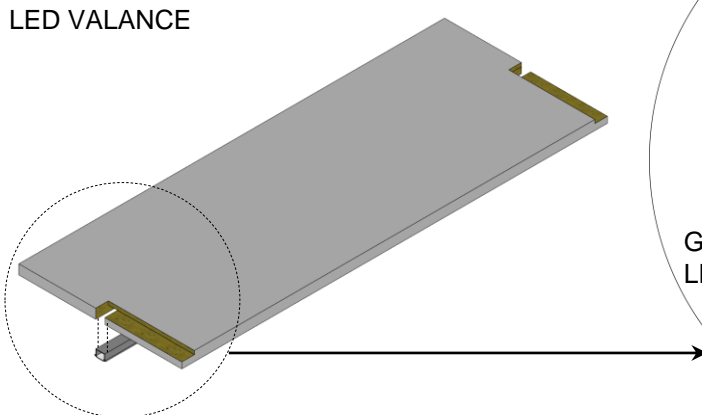
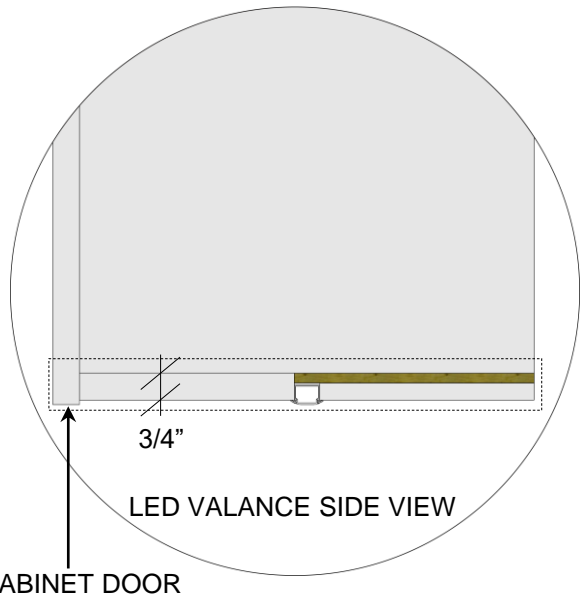
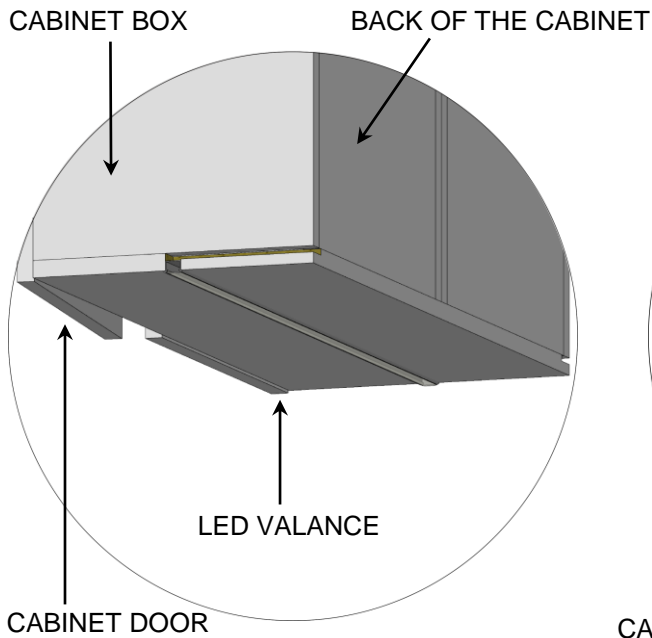
One of the following: **F** or **G**

NOTE: * = PLEASE VIEW PREVIOUS PAGES.



VALANCES - LED

VALANCE – LED (VLED)



NOTE:
- SEE LED SUPPLIES PAGE



VALANCES - LED





1323 43rd Ave SE. Calgary, Alberta. T2G 2A3



(403) 276.7399



(403)276.6650



sales@outsoucecc.com



www.outsoucecc.com